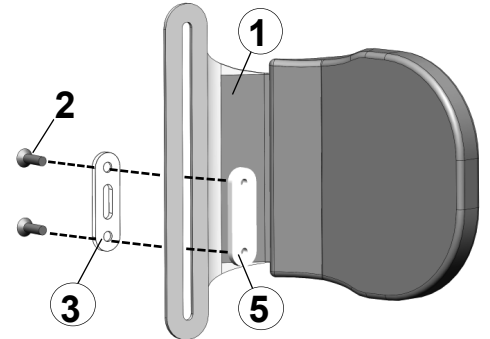
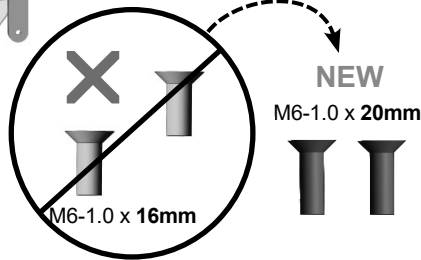
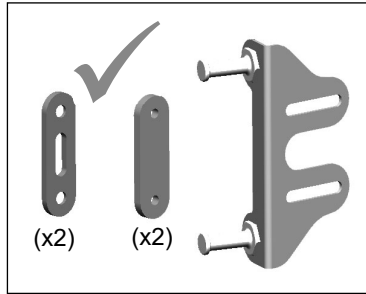
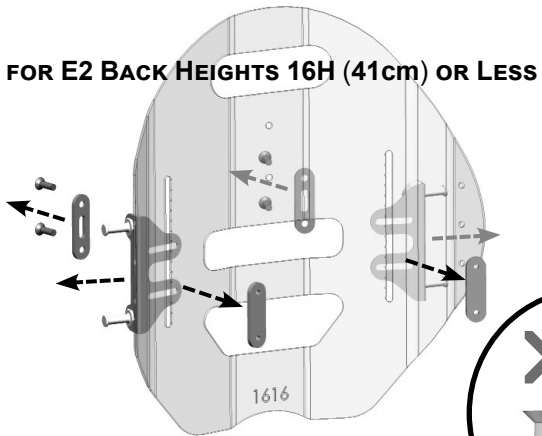


# E2FL - E2 FIXED LATERAL FOR THE ELITE E2S BACK

## Remove Existing Hardware:

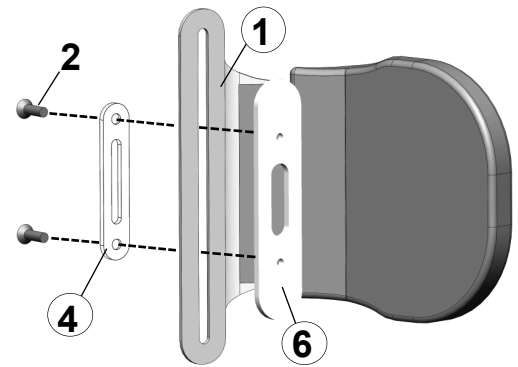
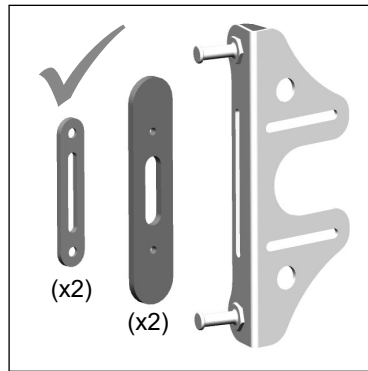
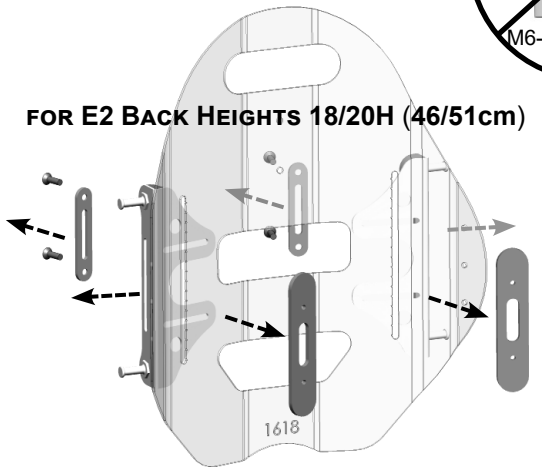
FOR E2 BACK HEIGHTS 16H (41cm) OR LESS



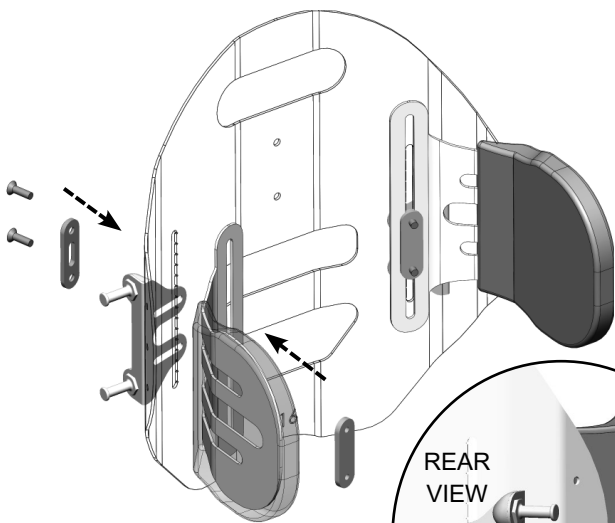
## E2FL Mounting Hardware:

Item	Qty	Description
1	2	E2FL Fixed Lateral Assembly
2	4	M6-1.0 x 20mm Flat Socket Cap Screw
3/4	2	Washer Plate ( <i>Re-use existing hardware</i> )
5/6	2	Nut Plate ( <i>Re-use existing hardware</i> )

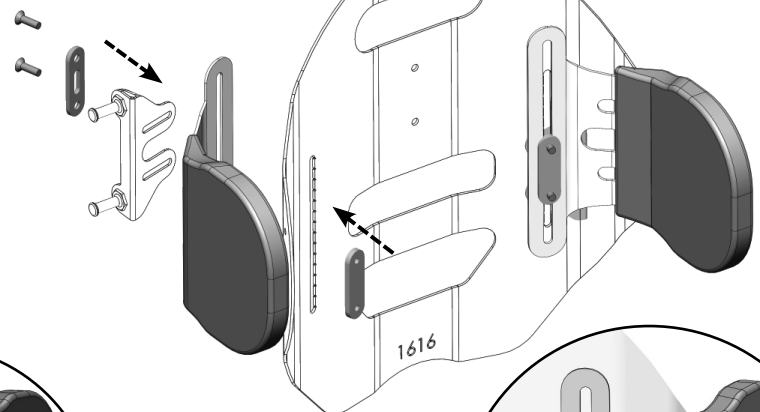
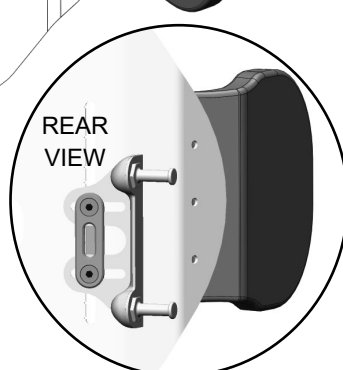
FOR E2 BACK HEIGHTS 18/20H (46/51cm)



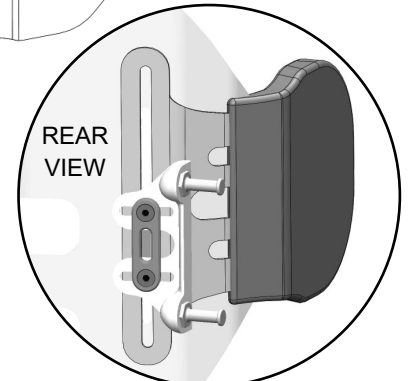
## E2FL Installation :



**INSIDE MOUNT**



**OUTSIDE MOUNT**

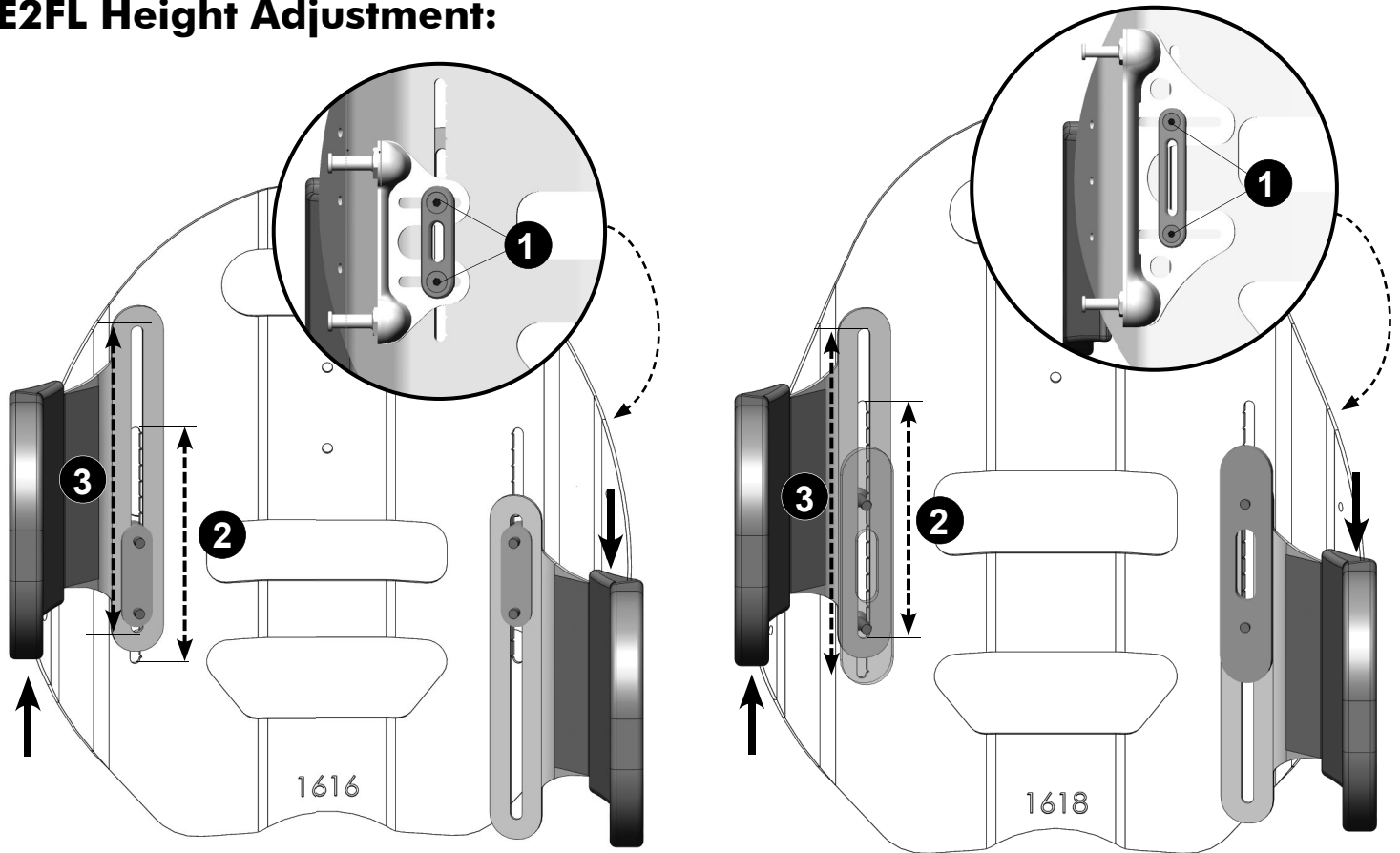


**Note:** the installation process is identical for 18/20" (46/51cm) back heights (*not shown*)

**TRD0578 Rev B**

# E2FL - E2 FIXED LATERAL FOR THE ELITE E2S BACK

## E2FL Height Adjustment:



### IMPORTER:

France:  
Invacare France Operations SAS  
Route de St Roch  
F-37230 Fondettes  
Tel: (33) (0)2 47 62 64 66  
contactfr@invacare.com; www.invacare.fr

United Kingdom:  
Invacare Limited  
Pencoed Technology Park,  
Pencoed Bridgend CF35 5AQ  
Tel: (44) (0) 1656 776 200  
uk@invacare.com; www.invacare.co.uk



### DISTRIBUTOR:

Belgium & Luxemburg:  
Invacare nv  
Autobaan 22  
B-8210 Loppem  
Tel: (32) (0)50 83 10 10  
marketingbelgium@invacare.com  
www.invacare.be

España:  
Invacare SA  
Avenida del Oeste, 50-50 - 1º-1a  
Tel: (34) 972 493 214  
contactsp@invacare.com  
www.invacare.es

Danmark:  
Invacare A/S  
Sdr. Ringvej 37  
DK-2605 Brøndby  
Tel: (45) (0)36 90 00 00  
denmark@invacare.com;  
www.invacare.dk

Deutschland:  
Invacare GmbH  
Am Achener Hof 8  
D-88316 Isny  
Tel: (49) (0)7562 700 0  
kontakt@invacare.com;  
www.invacare.de

France:  
Invacare Poirier SAS  
Route de St Roch  
F-37230 Fondettes  
Tel: (33) (0)2 47 62 64 66  
contactfr@invacare.com;  
www.invacare.fr

Ireland:  
Invacare Ireland Ltd,  
Unit 5 Seatown Business Campus  
Seatown Road, Swords,  
County Dublin  
Tel: (353) 1 810 7084  
ireland@invacare.com;  
www.invacare.ie

Italia:  
Invacare Mecc San s.r.l.,  
Via Marco Corner, 19,  
I-36016 Thiene (VI)  
Tel: (39) 0445 38 00 59  
italia@invacare.com;  
www.invacare.it

Nederland:  
Invacare BV  
Galvanistraat 14-3  
NL-6716 AE Ede  
Tel: (31) (0)318 695 757  
nederland@invacare.com;  
www.invacare.nl

Norge:  
Besøksadresse: (Office Address)  
Invacare AS  
Brynsveien 16  
0667 Oslo  
Tel: (47) (0)22 57 95 00  
norway@invacare.com;  
www.invacare.no

Österreich:  
Invacare Austria GmbH  
Herzog Odilo-Strasse 101  
A-5310 Mondsee  
Tel: (43) 6232 5535 0  
info-austria@invacare.com;  
www.invacare.at

Portugal:  
Invacare Lda  
Rua Estrada Velha, 949  
P-4465-784 Leça do Balio  
Tel: (351) (0)225 1059 46/47  
portugal@invacare.com  
www.invacare.pt

Schweiz / Suisse / Svizzera:  
Invacare AG  
Benkenstrasse 260  
CH-4108 Witterswil  
Tel: (41) (0)61 487 70 80  
switzerland@invacare.com  
www.invacare.ch

Sverige:  
Invacare AB  
Fagerstagatan 9  
S-163 53 Spånga  
Tel: (46) (0)8 761 70 90  
sweden@invacare.com;  
www.invacare.se

Suomi:  
Camp Mobility  
Patamäenkatu 5,  
33900 Tampere  
Puhelin 09-35076310  
info@campmobility.fi  
www.campmobility.fi

United Kingdom:  
Invacare Limited  
Pencoed Technology Park,  
Pencoed Bridgend CF35 5AQ  
Tel: (44) (0) 1656 776 200  
uk@invacare.com;  
www.invacare.co.uk

USA:  
Invacare America  
Elyria, Ohio,  
USA 44036-2125  
Tel: (1) 800 333 6900  
www.invacareamerica.com



**Advena Ltd.**  
Tower Business Cebrter, 2nd Flr  
Tower Street, Swatar BKR 41 03 Malta



**Motion Concepts**  
505 Cityview Blvd, Unit 1  
Vaughan, Ontario L4H 0L8 Canada  
Toll Free Tel: (1) 866.748.7943  
Tel: (1) 905.695.0134  
www.motionconcepts.com

